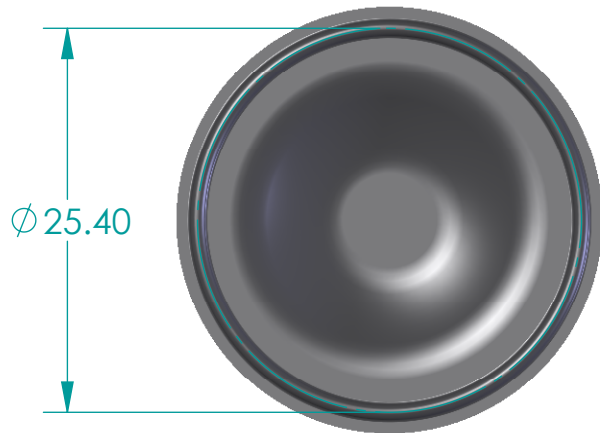
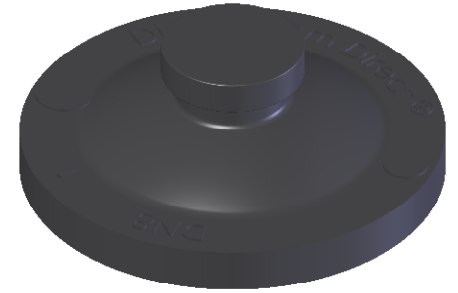
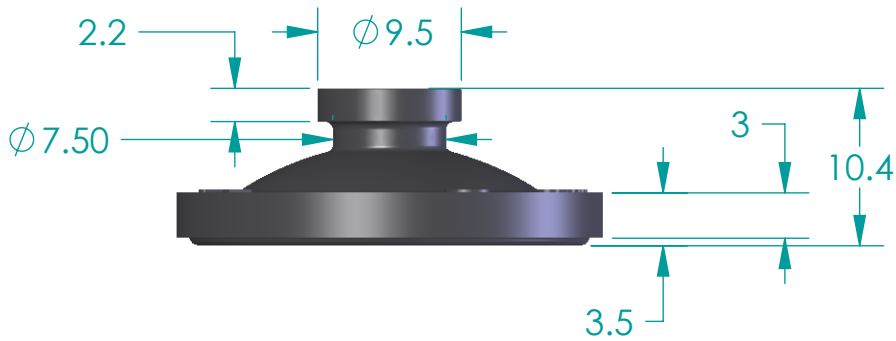
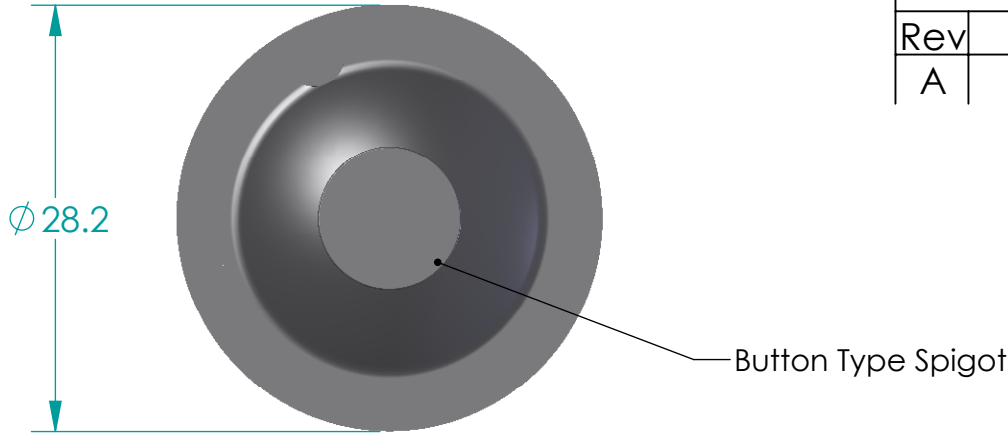


Revision History


Rev	Description	Date	Approved
A	Initial Release	07/01/24	JB



Replacement Diaphragm for:-

OEM PART = 50056

USED ON DN8 Round Diaphragm Valve

	Name	Date	 DIAPHRAGM DIRECT		
Drawn	M.Mc Keon	30/06/24			
Checked			TITLE DD03-BAE7		
Material - EPDM Complies with CFR 177.2600 and Conforms to USP Class VI Biological Reactivity Tests Section #87 and #88			Size A	FOOT PRINT DIMENSIONS	Rev A
			File Name: DD03-BAE7		
			SCALE: 1:1		Sheet 1 of 1

Disclaimer - Diaphragm Direct® does not manufacture, represent, nor sell OEM valves or diaphragms manufactured by any other company. Diaphragm Direct® brand diaphragms are not sponsored by any other manufacturers. Any name, model, part number, brand, image, material or referral is for descriptive purposes only. Diaphragm Direct® brand replacement diaphragms are guaranteed to fit OEM equipment and meet or exceed OEM specifications. Diaphragm Direct® brand replacement diaphragms are covered by the standard Diaphragm Direct® limited product warranty.